



LM6 series Quad



Feature

- Compliance: SAE J595, CA T13, ECE R10
- Ingress Protection Rating: IP67 / IP69
- Aluminium housing and PC Lens cover
- Standard accessories: 1 Foam, 2 Screws
- Mounting Options: Surface mount / Bracket mount (optional)

Quad Color



Specification

Model Name: Mini Lighthouse LM6 Quad

Input Voltage: 10~30V

Synchronizable up to 8 units

Led High power LED*24

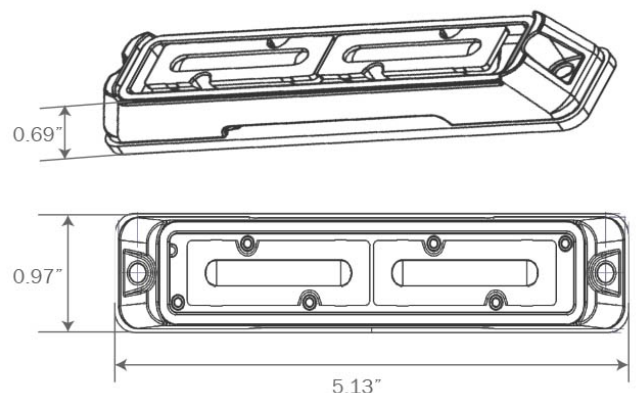
Input Current: 1.3A max@DC12V, 1.0A max@DC24V

Ambient Temperature Range: -30~50°C

Flash Pattern: max 18 patterns varies from color modes, total 7 groups, 15 color modes

Dimension:

0.69" (17.5mm) W x 5.13"
(130.4mm) L x 0.97" (24.7mm) H



TWL TOP WARNING LIGHT TECHNOLOGY CO., LTD.