



# MINI BAR *MC series*

MC-series



## Feature

- Compliance: SAE J845, R65 II (B, A)
- Ingress Protection Rating: IP67
- Optics: E Optics (Focus+Diffuser)
- Lens Cover: PC
- Mounting Options: Permanent or Magnet

## Single / Split Color



## Specification

Model Name: Mini Bar MC series

Input Voltage: 10~30V

Synchronize: Maximum of 8 Mini Bars

High power 3 LED \* 8 Module or 6 LED \* 4 Module

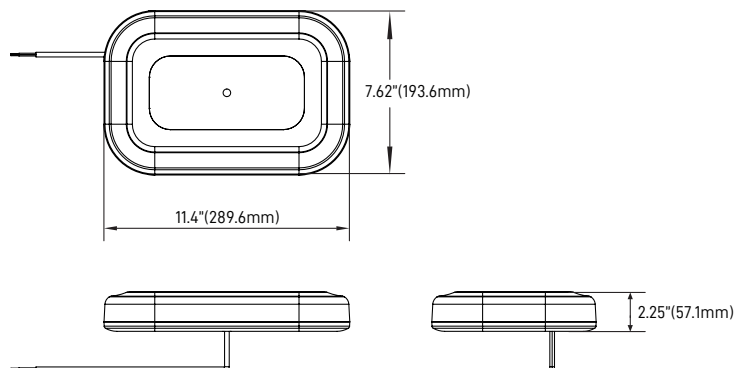
Function: Standard

Ambient Temperature Range: -30~50°C

Flash Pattern: 60

## Dimension:

11.4" (289.6mm) x 7.62" (193.6mm) x 2.25" (57.1mm)



**TWL** TOP WARNING LIGHT TECHNOLOGY CO., LTD.